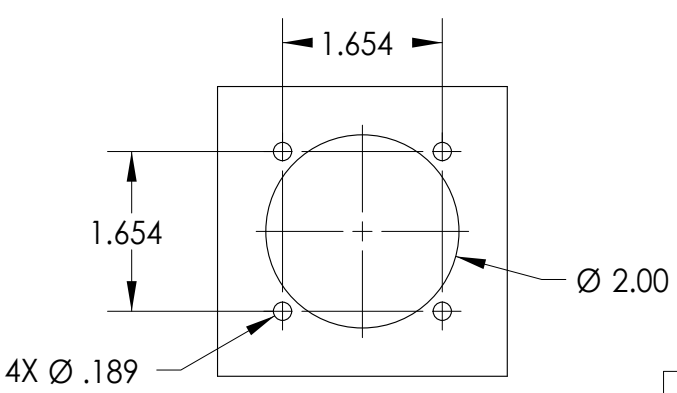
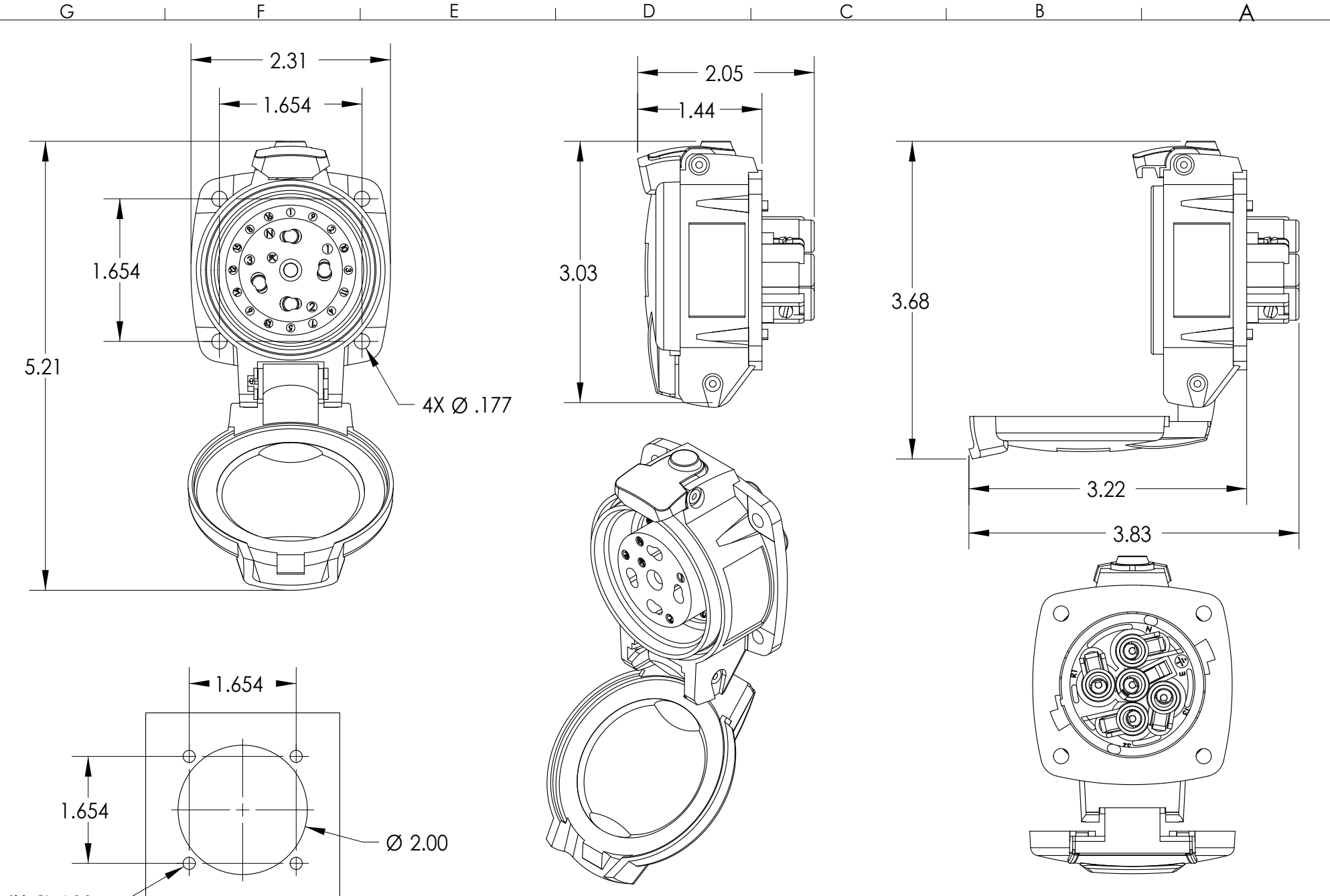


This drawing is the property of MELTRIC Corporation, Franklin (Milwaukee), Wisconsin, USA. Any unauthorized copying of this drawing by any means, or disclosure of its contents to any person not authorized by MELTRIC Corporation or its agents to receive it, is strictly prohibited.



ENTRY HOLE PATTERN

TOLERANCES UNLESS OTHERWISE SPECIFIED		 A COMPANY OF MARECHAL ELECTRIC	
MACHINED SURFACES $\sqrt[125]{\text{MAX}}$	ENGLISH		
GROUND SURFACES $\sqrt[32]{\text{MAX}}$	0.X ±0.05	DRAWN	APPROVED
ANGLE TOLERANCE ±1°	0.XX ±0.01	DRAWING TITLE:	
REMOVE BURRS & SHARP EDGES TO .015 MAX.	0.XXX ±0.005	DATE:	PN20 RECEPT., 20AMP, IP66 + IP67
DIMENSIONS SHOWN IN OVALS ARE INSPECTION DIMENSIONS.		SCALE	MATERIAL:
		NTS	BLUE POLY CASING
		SHEET:	PART NUMBER
		1 OF 1	01-N4xxx
			REVISION