

150 A

1 000 V
U_{MAXI}

DECONTACTOR™ DS9 POLY



IP66
IP67
IP69



25-70 mm² (1)
25-95 mm² (2)



GRP



IK09



-40 °C
+60 °C



AC-22
AC-23



60309-1
60309-4
60947-3



6 AUX. (3)

(1) Flexible wiring (min.-max.).
(2) Stranded wiring (min.-max.).
(3) Flexible wiring : 2,5 mm².



Other configurations on request

GRP devices are not compatible with metal devices.



Each inlet should be connected to a wall box, a sleeve or a handle to ensure correct operation of the closing mechanism.

LOAD-BREAK CAPABILITY OF THE DECONTACTOR™

Comply with IEC/EN 60309-1 and IEC/EN 60309-4 standards	150 A/690 V
Load-break capability according to IEC/EN 60947-3/AC-22	(90 A/690 V) or (150 A/600 V)
Load-break capability according to IEC/EN 60947-3/AC-23	100 A/440 V
Short-circuit current I _{cc}	10 kA
Power kW AC-22/AC-23	80 kW

SOCKET-OUTLET
female
DS9








INLET male
DS9





380-440 V AC	3P+E	3194013	3198013
220-250 V AC 380-440 V AC	3P+N+E	3194017	3198017
660-690 V AC	3P+E	3194193	3198193
380-400 V AC 660-690 V AC	3P+N+E	3194197	3198197
1 000 V AC*	3P+E	3194223	3198223
Auxiliaries 10 A/400 V AC	+ 2 contacts	Ref. + 262	Ref. + 262
Auxiliaries 10 A/400 V AC	+ 4 contacts	Ref. + 264	Ref. + 264
Auxiliaries 10 A/400 V AC	+ 6 contacts	Ref. + 976	Ref. + 976


► Other currents, voltages, frequencies and contact configurations are available (see page 14).


* Switch rating up to 125 A.


OPTIONS	Reference
LOCKING PIN FOR 2 PADLOCKS Ø 4 TO 8 mm (PADLOCKS NOT SUPPLIED)	
	Socket-outlet ref. +843
SAFETY HASP FOR UP TO 6 PADLOCKS	
	399A541
LARGER RELEASE BUTTON	
	Ref. socket +453
INLET CAP IP66/IP67	
	319A426
IP40 SELF RETURNING LID (MANUAL CLOSING)	
	Socket-outlet ref.+R


HANDLE	Input/ Cable outer Ø	Reference	Self-ejection
ELASTOMER HANDLE WITH GLAND			
	18-25 mm	555P0D25	Ref. +443
	25-35 mm	555P0D35	Ref. +443
	35-45 mm	555P0D45	Ref. +443
	45-49 mm	555P0D49	Ref. +443

POLY HANDLE + POLY CABLE GLAND			
	14-25 mm	515P032P	Ref. +443
	18-32 mm	515P040P	Ref. +443
	24-38 mm	515P050P	Ref. +443
	35-48 mm	515P063P	/



POLY HANDLE (WITHOUT CABLE GLAND)			
	M50	515P0M50	/
	M63	515P0M63	/

METAL HANDLE WITH METAL GLAND (+ EARTHING WIRE)			
	16-24 mm	595P032M	/
	22-32 mm	595P040M	/
	34-44 mm	595P050M	/
	35-48 mm	595P063M	/





METAL HANDLE METRIC THREAD ENTRY (WITHOUT CABLE GLAND)			
	M32	595P0M32	/
	M40	595P0M40	/
	M50	595P0M50	/
	M63	595P0M63	/

BOXES	△ x°	Input	Reference
METAL BOX (+ EARTHING WIRE) + POLY SLEEVE			
	30°	M32	515C3M32
	30°	M40	515C3M40
	30°	M50	515C3M50
	30°	M63	515C3M63

METAL BOX (+ EARTHING WIRE) + METAL SLEEVE			
	30°	M32	595C3M32
	30°	M40	595C3M40
	30°	M50	595C3M50
	30°	M63	595C3M63
	0° (Straight)	M32	595C0M32
	0° (Straight)	M40	595C0M40
	0° (Straight)	M50	595C0M50
	0° (Straight)	M63	595C0M63
	70°	M32	595C7M32
	70°	M40	595C7M40
	70°	M50	595C7M50
	70°	M63	595C7M63

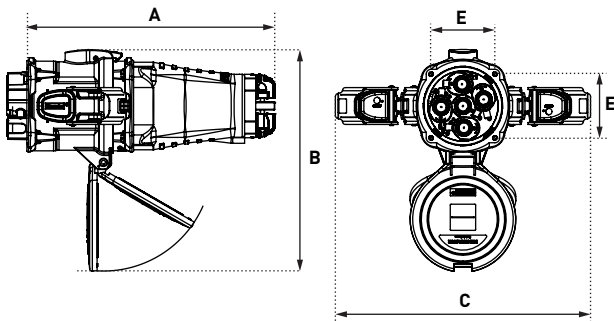
METAL BOX (+ EARTHING WIRE) + METAL SLEEVE + CORNET			
	0° (Straight)	M50	595E0M50
	30°	M50	595E3M50
	30°	M63	595E3M63
	70°	M50	595E7M50
	70°	M63	595E7M63

Cable glands are not delivered with the boxes.

SLEEVE	△ x°	Reference
POLY SLEEVE		
	30°	515M3
METAL SLEEVE		
	0° (Straight)	595M0
	30°	595M3
	70°	595M7

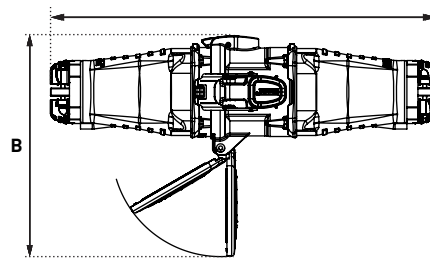
DRAWINGS AND DIMENSIONS

PLUG ON SOCKET-OUTLET



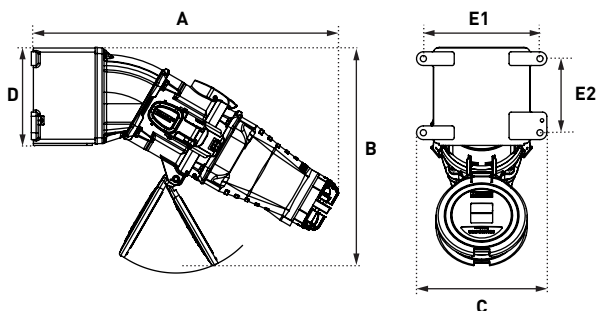
A	B	C	E
313	279	322	81

COUPLER



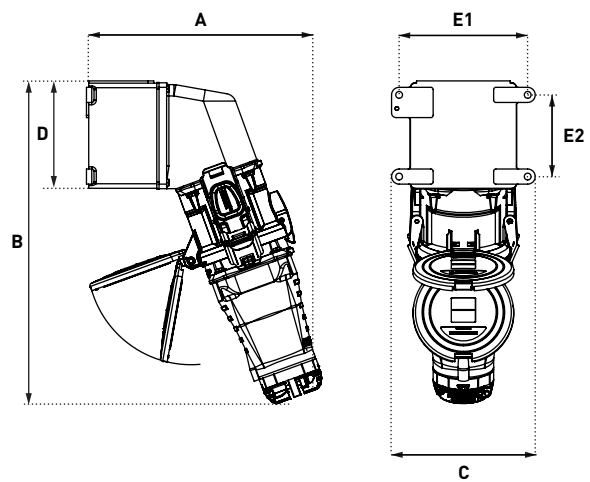
A	B
491	280

PLUG ON 30° WALL MOUNTED SOCKET OUTLET



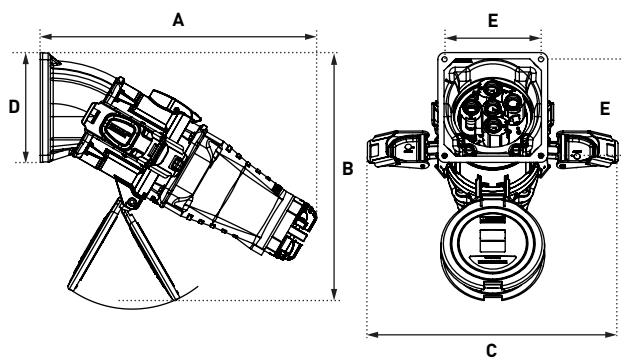
A	B	C	D	E1	E2
448	265	190	142	170	108

PLUG ON 70° WALL BOX MOUNTED SOCKET



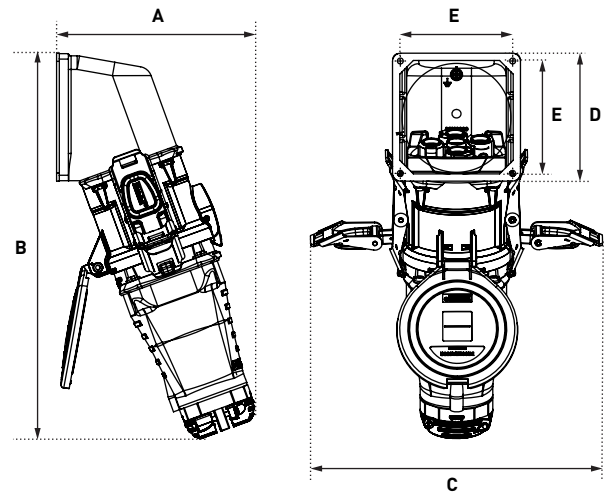
A	B	C	D	E1	E2
311	427	190	142	170	108

PLUG ON 30° INCLINED SOCKET-OUTLET

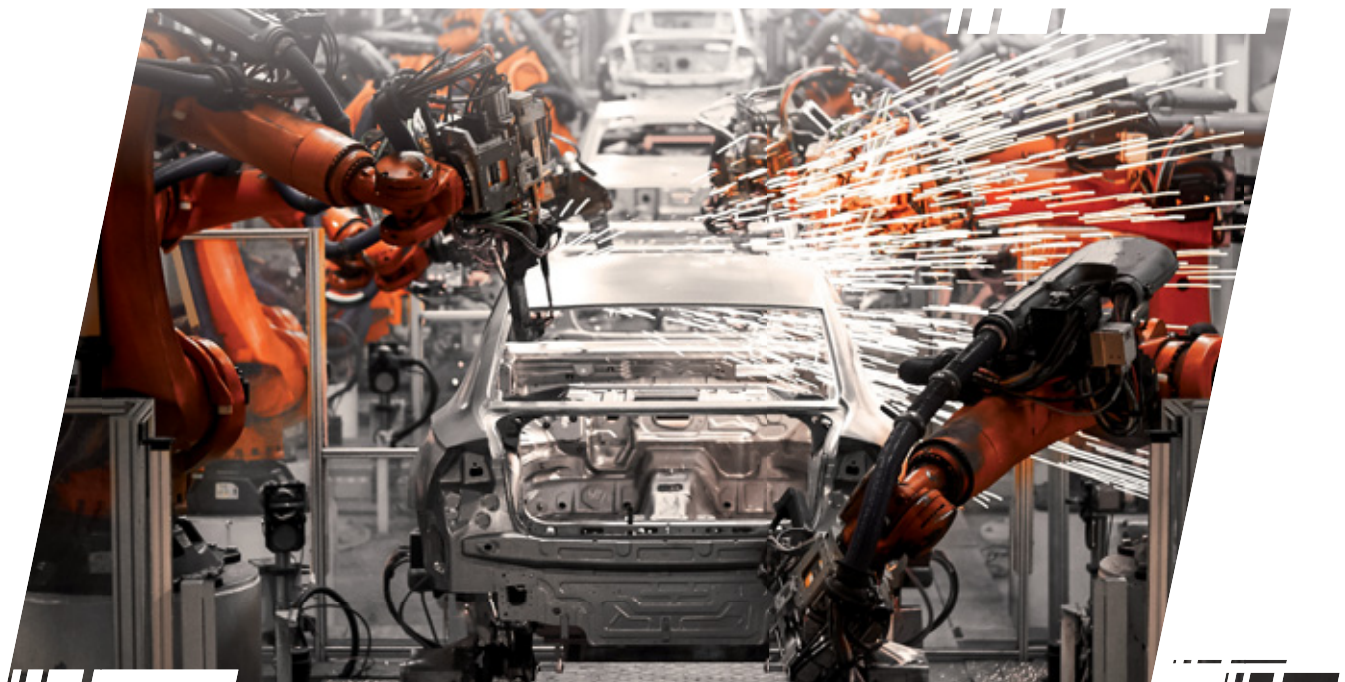


A	B	C	D	E
355	329	322	141	124

PLUG ON 70° INCLINED SOCKET-OUTLET



A	B	C	D	E
218	425	322	140	124



150 A

1 000 V U MAXI

DECONTACTOR™ DS9 METAL



IP66
IP67
IP69



25-70 mm² (1)
25-95 mm² (2)



METAL



IK10



-40 °C
+60 °C



AC-22
AC-23



60309-1
60309-4
60947-3



6 AUX. (3)



EMC

(1) Flexible wiring (min.-max.).
(2) Stranded wiring (min.-max.).
(3) Flexible wiring : 2,5 mm².



Other configurations on request

GRP devices are not compatible with metal devices.



Each inlet should be connected to a wall box, a sleeve or a handle to ensure correct operation of the closing mechanism.

LOAD-BREAK CAPABILITY OF THE DECONTACTOR™

Comply with IEC/EN 60309-1 and IEC/EN 60309-4 standards	150 A/690 V
Load-break capability according to IEC/EN 60947-3/AC-22	(90 A/690 V) or (150 A/600 V)
Load-break capability according to IEC/EN 60947-3/AC-23	100 A/440 V
Short-circuit current I _{cc}	10 kA
Power kW AC-22/AC-23	80 kW

SOCKET-OUTLET
female
DS9



INLET male
DS9








380-440 V AC	3P+E	3994013	3998013
220-250 V AC 380-440 V AC	3P+N+E	3994017	3998017
660-690 V AC	3P+E	3994193	3998193
380-400 V AC 660-690 V AC	3P+N+E	3994197	3998197
1 000 V AC*	3P+E	3994223	3998223
Auxiliaries 10 A/400 V AC	+ 2 contacts	Ref. + 262	Ref. + 262
Auxiliaries 10 A/400 V AC	+ 4 contacts	Ref. + 264	Ref. + 264
Auxiliaries 10 A/400 V AC	+ 6 contacts	Ref. + 976	Ref. + 976

► Other currents, voltages, frequencies and contact configurations are available (see page 14).

* Switch rating up to 125 A.

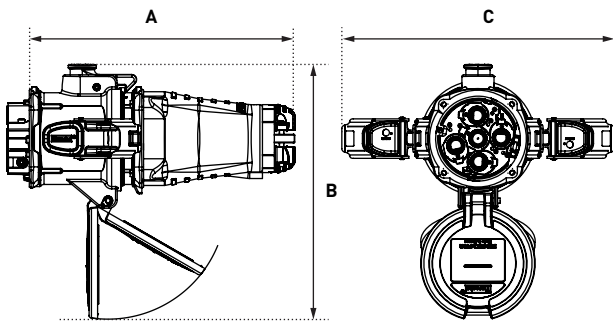
OPTIONS	Reference
LOCKING PIN FOR 2 PADLOCKS Ø 4 TO 8 mm (PADLOCKS NOT SUPPLIED)	
 Socket-outlet ref. +843	
SAFETY HASP FOR UP TO 6 PADLOCKS	
 399A541	
ALLEN-SCREW LOCKING LATCH	
Direct latch locking, no padlocking option.	Ref. socket + 22
INLET CAP IP66/IP67	
 319A426	
IP40 SELF RETURNING LID (MANUAL CLOSING)	
 Socket-outlet ref.+R	
ELECTROMAGNETIC COMPATIBILITY (EMC) ● NEW	
	Please order a metal threaded accessory herewith, together with a EMC cable gland to be found on page 318.

HANDLE	Input/ Cable outer Ø	Reference
ELASTOMER HANDLE WITH GLAND		
	18-25 mm	555P0D25
	25-35 mm	555P0D35
	35-45 mm	555P0D45
	45-49 mm	555P0D49
POLY HANDLE + POLY CABLE GLAND		
	14-25 mm	515P032P
	18-32 mm	515P040P
	24-38 mm	515P050P
	35-48 mm	515P063P
POLY HANDLE (WITHOUT CABLE GLAND)		
	M50	515P0M50
	M63	515P0M63
METAL HANDLE WITH METAL GLAND (+ EARTHING WIRE)		
	16-24 mm	595P032M
	22-32 mm	595P040M
	34-44 mm	595P050M
	35-48 mm	595P063M
METAL HANDLE METRIC THREAD ENTRY (WITHOUT CABLE GLAND) ●		
	M32	595P0M32
	M40	595P0M40
	M50	595P0M50
	M63	595P0M63

BOXES		Input	Reference	
METAL BOX (+ EARTHING WIRE) + POLY SLEEVE				
	30°	M32	515C3M32	
	30°	M40	515C3M40	
	30°	M50	515C3M50	
	30°	M63	515C3M63	
METAL BOX (+ EARTHING WIRE) + METAL SLEEVE ●				
	30°	M32	595C3M32	
	30°	M40	595C3M40	
	30°	M50	595C3M50	
	30°	M63	595C3M63	
	0° (Straight)	M32	595C0M32	
	0° (Straight)	M40	595C0M40	
	0° (Straight)	M50	595C0M50	
	0° (Straight)	M63	595C0M63	
	70°	M32	595C7M32	
	70°	M40	595C7M40	
	70°	M50	595C7M50	
	70°	M63	595C7M63	
	METAL BOX (+ EARTHING WIRE) + METAL SLEEVE + CORNET ●			
		0° (Straight)	M50	595E0M50
30°		M50	595E3M50	
30°		M63	595E3M63	
		70°	M50	595E7M50
		70°	M63	595E7M63
Cable glands are not delivered with the boxes.				
SLEEVE		Reference		
POLY SLEEVE				
	30°	515M3		
METAL SLEEVE ●				
	0° (Straight)	595M0		
		30°	595M3	
		70°	595M7	

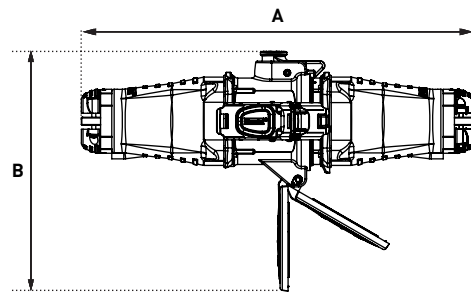
DRAWINGS AND DIMENSIONS

PLUG ON SOCKET-OUTLET



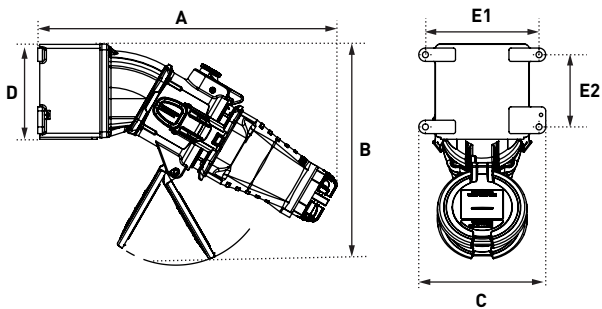
A	B	C
313	299	322

COUPLER



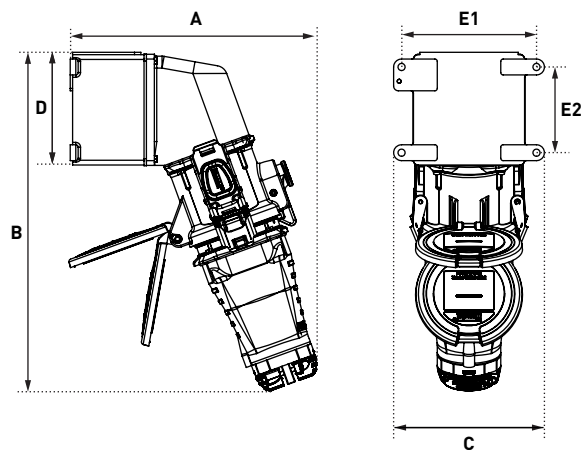
A	B
490	299

PLUG ON 30° WALL MOUNTED SOCKET OUTLET



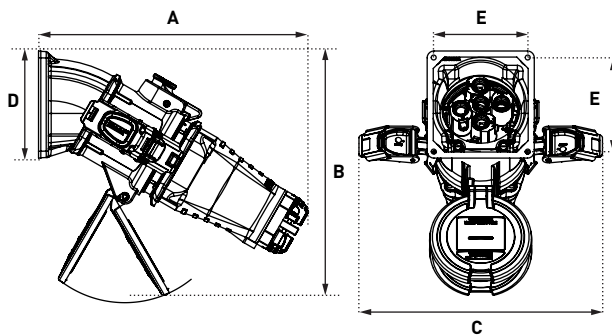
A	B	C	D	E1	E2
448	330	322	142	170	108

PLUG ON 70° WALL BOX MOUNTED SOCKET



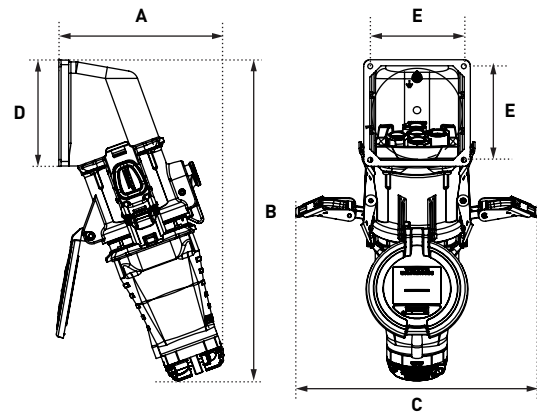
A	B	C	D	E1	E2
310	426	190	142	170	108

PLUG ON 30° INCLINED SOCKET-OUTLET



A	B	C	D	E
355	331	322	141	124

PLUG ON 70° INCLINED SOCKET-OUTLET



A	B	C	D	E
217	424	322	141	124

