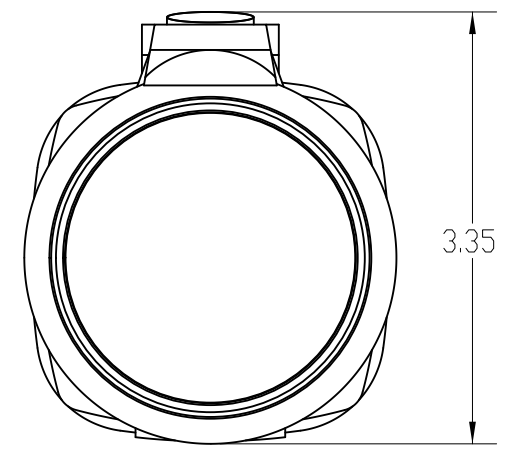
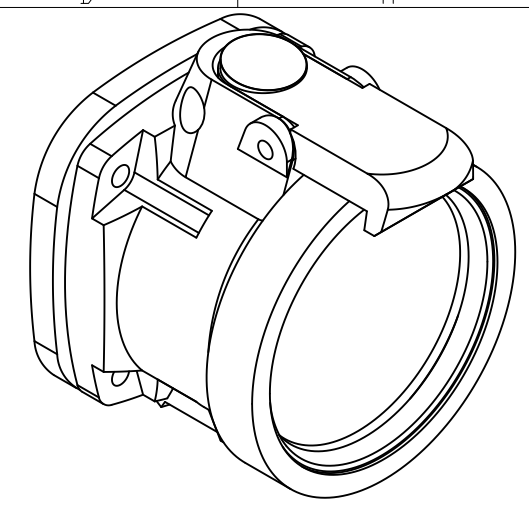
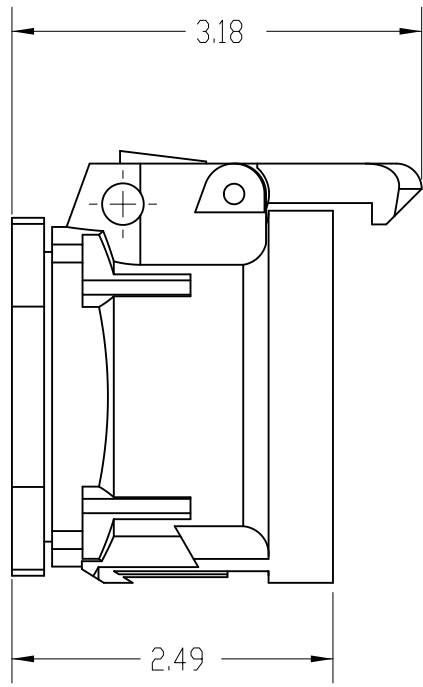
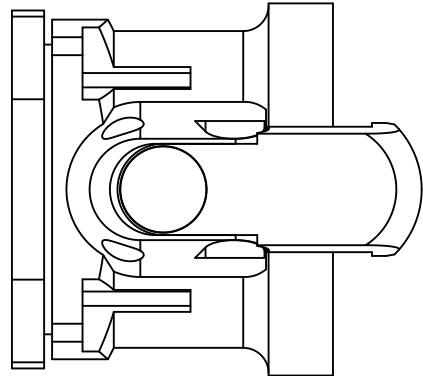
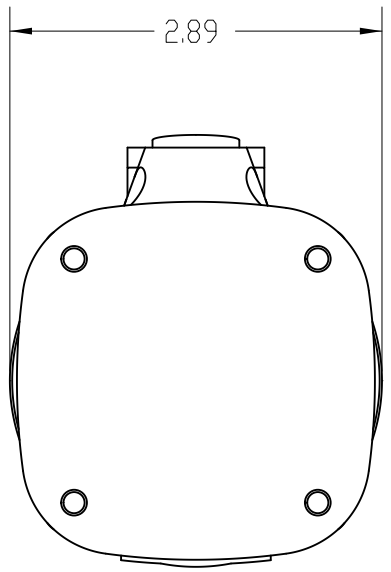




This drawing is the property of MELTRIC Corporation, Franklin (Milwaukee), Wisconsin, USA. Any unauthorized copying of this drawing by any means, or disclosure of its contents to any person not authorized by MELTRIC Corporation or its agents to receive it, is strictly prohibited.



TOLERANCES UNLESS OTHERWISE SPECIFIED		 <b>MELTRIC</b> A COMPANY OF MARECHAL ELECTRIC				
MACHINED SURFACES	125/ MAX			ENGLISH		
GROUND SURFACES	32/ MAX	0.X ±0.05	DRAWN	APPROVED	DRAWING TITLE:	
ANGLE TOLERANCE	± 1°	0.XX ±0.01	DATE:		SCALE	MATERIAL:
REMOVE BURRS & SHARP EDGES TO .015 MAX.		0.XXX ±0.005	SHEET:		NTS	POLY
 DIMENSIONS SHOWN IN OVALS ARE INSPECTION DIMENSIONS.			1 OF 1	PART NUMBER		REVISION
				DS1PC		