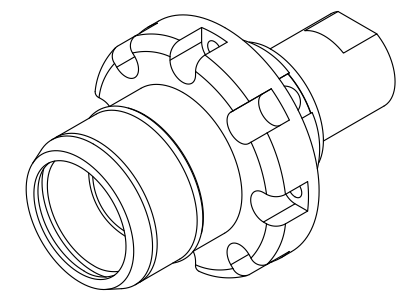
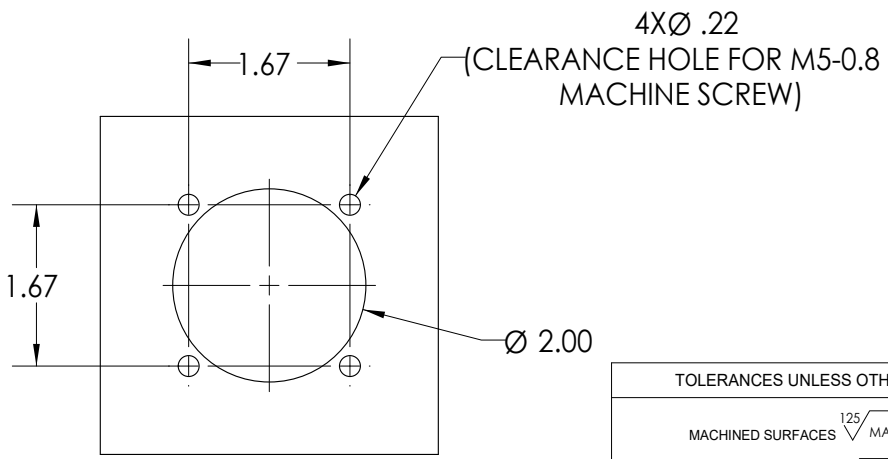
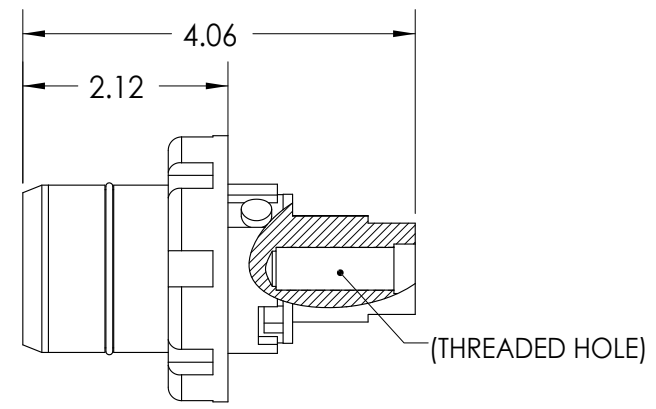
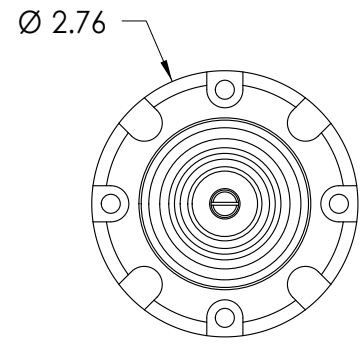
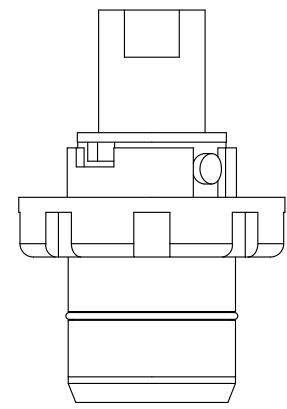
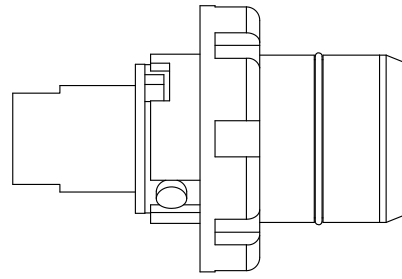




This drawing is the property of MELTRIC Corporation, Franklin (Milwaukee), Wisconsin, USA. Any unauthorized copying of this drawing by any means, or disclosure of its contents to any person not authorized by MELTRIC Corporation or its agents to receive it, is strictly prohibited.

G F E D C B A

1  
2  
3  
4  
5  
6



TOLERANCES UNLESS OTHERWISE SPECIFIED		 A COMPANY OF MARECHAL ELECTRIC		DRAWING TITLE:	
MACHINED SURFACES $\sqrt[125]{\text{MAX}}$	ENGLISH			DATE:	SCALE
GROUND SURFACES $\sqrt[32]{\text{MAX}}$	0.X ±0.05		NTS	BLACK POLY CASING	
ANGLE TOLERANCE ±1°	0.XX ±0.01				
REMOVE BURRS & SHARP EDGES TO .015 MAX.	0.XXX ±0.005				
 DIMENSIONS SHOWN IN OVALS ARE INSPECTION DIMENSIONS.		SHEET:	PART NUMBER		
		1 OF 1	45-4800x-P80		
			REVISION		