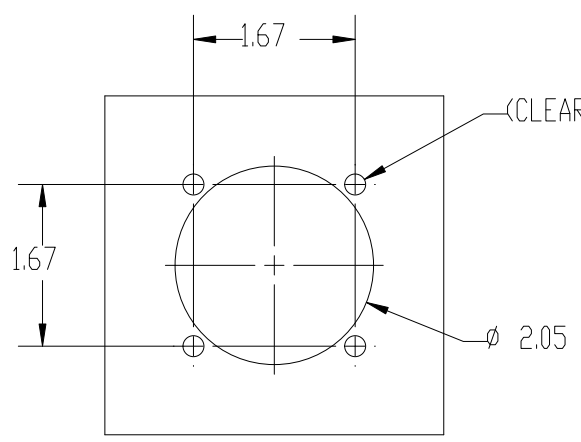
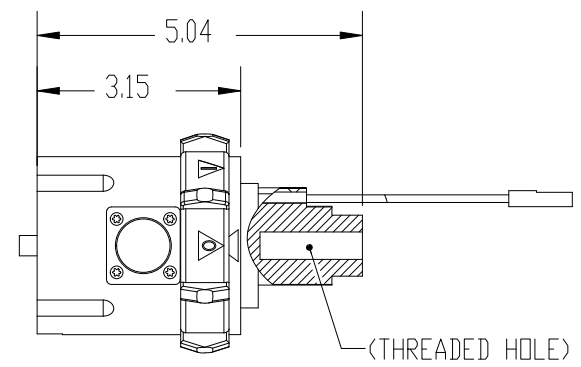
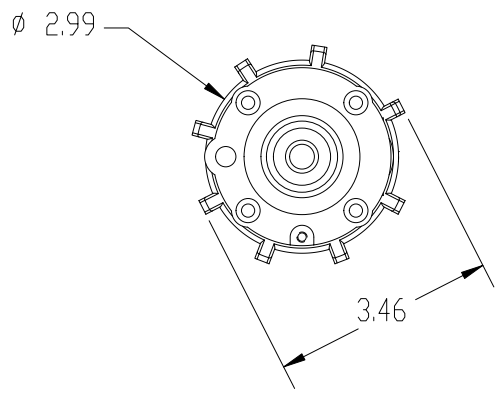
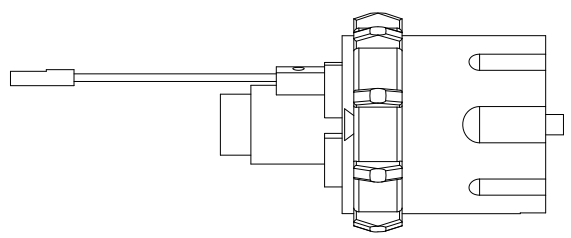
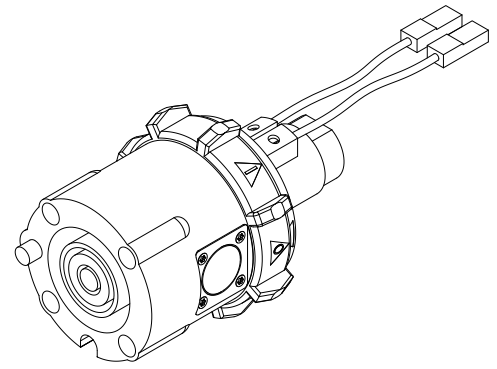
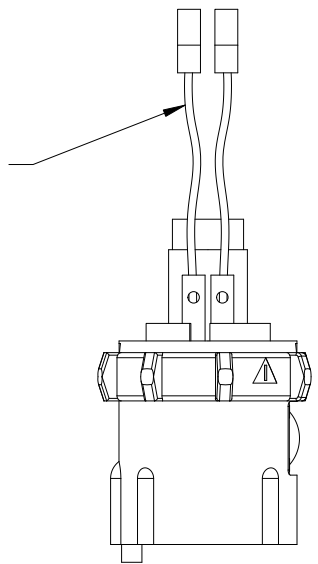


This drawing is the property of MELTRIC Corporation, Franklin (Milwaukee), Wisconsin, USA. Any unauthorized copying of this drawing by any means, or disclosure of its contents to any person not authorized by MELTRIC Corporation or its agents to receive it, is strictly prohibited.

PRE-WIRED PILOT CONTACTS:
 APPROX. 4" WIRE LENGTH WITH
 1/4" FEMALE SPADE TERMINALS



4X ϕ .217
 (CLEARANCE HOLE FOR M5-0.8
 MACHINE SCREW)

ENTRY HOLE PATTERN

TOLERANCES UNLESS OTHERWISE SPECIFIED	
MACHINED SURFACES	\pm .005
GROUND SURFACES	\pm .010
ANGLE TOLERANCE	$\pm 1^\circ$
REMOVE BURRS & SHARP EDGES TO .015 MAX.	
DIMENSIONS SHOWN IN OVALS ARE INSPECTION DIMENSIONS.	
ENGLISH $0.X \pm 0.05$ $0.XX \pm 0.01$ $0.XXX \pm 0.005$	

		A COMPANY OF MARÉCHAL ÉLECTRIC	
DRAWN	APPROVED	DRAWING TITLE:	
DATE:	SCALE:	SP 600A RECEPTACLE WITHOUT LUG	
	NTS	MATERIAL:	
		BLACK POLY CASING	
SHEET:	PART NUMBER	REVISION	
1 OF 1	45-4400x-P80		